

# RFID and GSM based Ration Dispensary System

Rakshitha. R\* and Dr.Bharathi S.H.\*\*

\*M.Tech Scholar, School of ECE, Reva University  
rakshithar54@gmail.com

\*\*Professor, School of ECE, Reva University  
bharathish@reva.edu.in

**Abstract:** Automatic Ration Dispensing System exhibited here is a propelled framework valuable for the programmed and more effective method for apportion conveyance. This venture is intended to limit the manual mediation during the time spent apportion dispersion, so that more straightforwardness and proficiency can be kept up. The venture comprises of a User Card; in view of a card as client card and a robotized framework interfaced with a CONTROLLER and material apportioning instrument. The venture is additionally outfitted with a controller unit for the simplicity of message show and for simple future improvements in the venture. The center usefulness of the keen apportion allocator is to keep up, with least exertion, a stock rundown of perishable things and record the proportion distributor subtle elements of every client alongside their amount constraints. Indeed, clients of the brilliant apportion allocator won't need to change any conduct to keep up this stock rundown. They would simply continue utilizing the savvy proportion distributor, as they've been doing in the hundreds of years since the primary keen apportion gadget was developed. The primary goal of the composed framework is the robotization of apportion shop to give straightforwardness.

**Keywords:** RFID,GSM, Automatic proportion gadget, User Card, Transparency.

## Introduction

The greater part of the general population having a proportion card to purchase the things from the apportion shops. At the point when get the thing from the proportion shop, first we have to present the apportion card and they will put the sign in the proportion card relies on upon the thing. At that point they will issue the it ems through weighting framework with help of human. Yet, in this framework having two disadvantages, initial one is weight of the things might be erroneous because of human missteps and besides, if the clients don't purchase the things toward the finish of the month, they will offer in open market with no implication to the administration and clients. In this venture, we have proposed a Smart Ration Card System Based on GSM and RFID Technology to stay away from the downsides.

At first everybody will be given a RFID or savvy Card, rather than an apportion card. On the off chance that the client needs to get any apportion material, the client needs to demonstrate the proportion RFID label card to the RFID peruser Kit, the peruser that is consolidated with the venture unit will perceive the RFID numbers appear by the client. This perceived RFID number will be given to a microcontroller. Before beginning the framework, the special RFID number of the apportion client will be customized in the controller, for example, User name and address points of interest, and so forth., so that the controller will perceive the information originating from RFID. Once the client is recognized, the following stage is LCD shows enter the secret key if the watchword is right LCD ask select the thing and after that amount with the assistance of keypad, if everything is right then microcontroller make a request to gather the things, subsequent to gathering the thing the MSG will be sent through GSM to the concerned individuals. In this framework, just legitimate individual can be recuperated proportion things from apportion shops in view of the sum accessible in the RFID card.

## Proposed System

### Block Diagram

The proposed framework helps to control acts of neglect which are available in apportion shop by supplanting manual work with programmed framework in light of RFID and GSM. Each customer i.e. family head gave RFID card which goes about as proportion card. The RFID card has one of a kind distinguishing proof number. The shopper checks the card on RFID per user which is interfaced.

Figure1 demonstrates the framework piece graph in light of RFID innovation and Figure2.2 demonstrates the definite circuit chart of finish framework. Framework comprises of microcontroller-LPC1768, RFID, GSM, engine driver, LCD and keypad. The proposed framework shows circulation of strong and additionally fluid shopper materials that is grains (wheat/rice) and lamp oil. RFID peruser and keypad goes about as contributions to framework and LCD is utilized for showing apportion stock and related exercises. The microcontroller yields are utilized to drive DC engine and stepper engine.

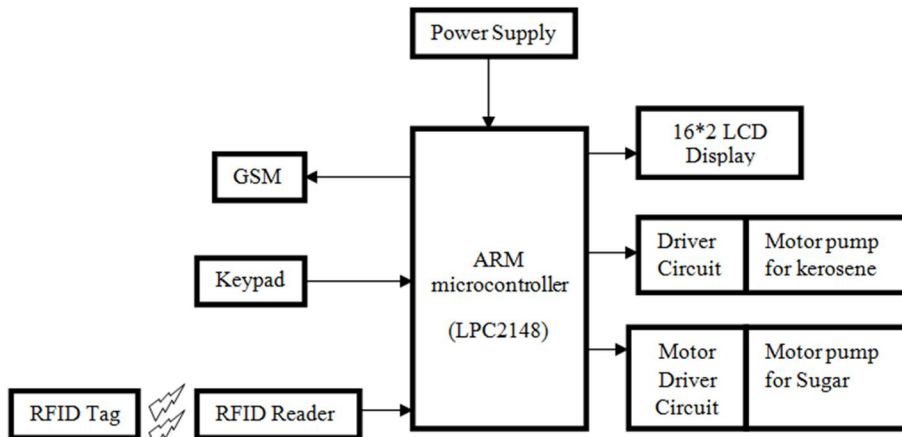


Figure 1. Block Diagram Of Ration dispensary system

**Circuit Diagram**

Figure 2 demonstrates the circuit graph of Ration dispensary framework. The availability between LPC2148, LCD, GSM, Keypad engines and power supply is spoken to. The RFID's transmitting pin is associated with stick P0.1 of LPC2148 which encourages the RFID peruser to transmit client related information to microcontroller. LPC2148 microcontroller transmits data to GSM through stick P0.8(trnsmitting pin) and gets information from stick P0.9(receiving pin). This aides in sending data about the apportion conveyed on the enlisted number. The stepper engine and DC engine are utilized as a part of proportion apportioning. The keypad and LCD is utilized for UI with framework.

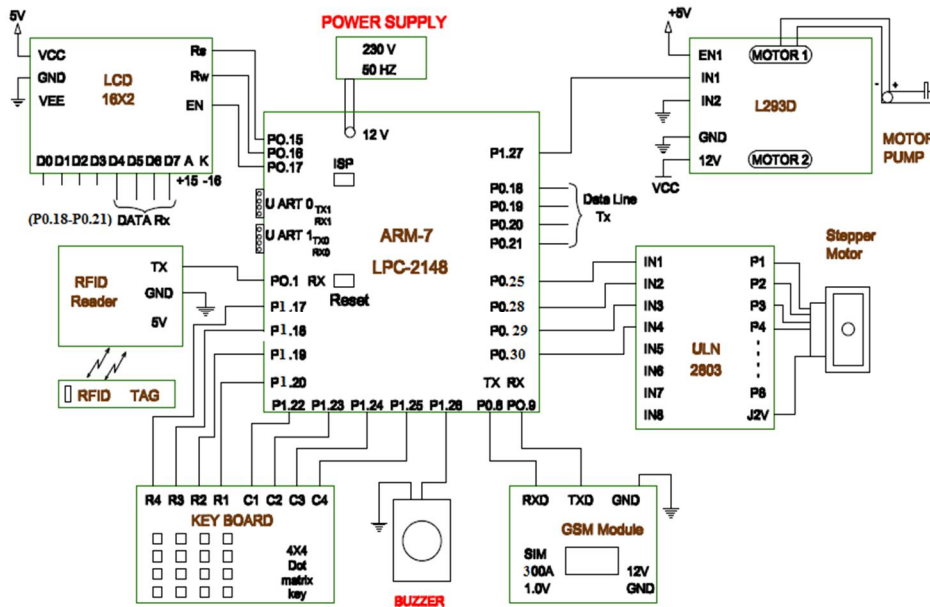


Figure 2. Circuit Diagram Of Ration dispensary system

**Flowchart**

Each buyer is given a RFID card which is enlisted by the Government authority. At the season of apportion conveyance at proportion shop, first watchword of customer is confirmed as appeared in fig 2. Client ID is checked with the database given by the Government specialist which is put away in the microcontroller. When check is effective, shopper is requested a select kind of thing and amount required, through keypad separately. In light of sort of thing picked, its amount point of confinement is checked, if constrain does not surpass then engine is initiated. In the wake of gathering appropriate amount engine is disabled. GSM module will send the data in type of SMS to the client. Likewise it is sent to concerned government division

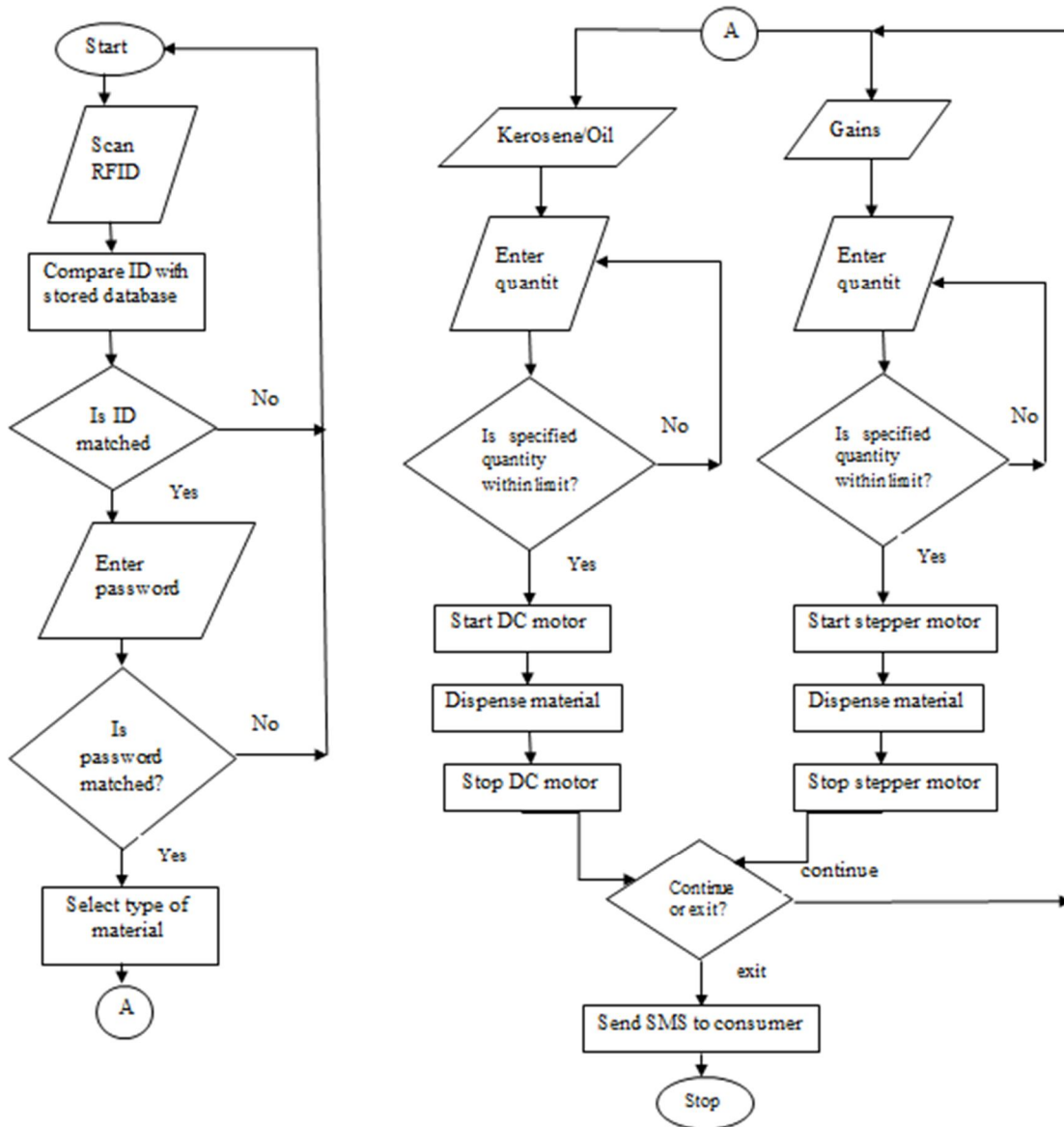


Figure 3. Flowchart Of Ration dispensary system

## Working

The working of Ration dispensary framework is separated into five sections

### Input system

Client distinguishing proof is done when RFID tag is swapped, then RFID peruser peruses the information from RFID label which is transmitted to microcontroller. RFID tag builds up a special attractive field which when goes under the impact of peruser's field, the peruser produces an exceptional double code.

The 4x4 keypad is utilized to enter the secret word, choices to administer apportion like required material, its coveted amount and so on by client

### Processing

The microcontroller gets the information from RFID per user. The microcontroller forms information and contrasts it and the database. In the event that the information is bona fide then the framework begins ,else it gives a mistake message.

In the event that the RFID enlisted however client enters the secret word erroneously twice then the card will be blocked. In the event that the client enters the amount of materials all the more then as far as possible then the framework rejects the entered amount and shows a mistake message.

**Displaying system**

After validation of client, the name of client is shown and afterward client is made a request to enter the password. On effective login the rundown of materials accessible is shown, on determination of materials its amount is made a request to enter. On effective material apportioning a message is displayed to logout.

**Dispensing System**

The administering framework comprises of stepper engine, DC engine and engine drivers. At the point when client enters the correct amount if material is fluid like lamp fuel or oil DC engine is enacted till the entered amount is apportioned and after that engine is incapacitated, if the material is grains like rice, wheat or sugar then stepper engine is initiated and in the wake of administering it is impaired.

**Messaging system**

After the verification and conveyance of materials, the data about the conveyance is sent to the enlisted number of client, so that if any phony happens then client can make the move or educate the apportion office.

**Experimental Results**

The proposed framework is found to precise, quick and secure. The table-1 beneath demonstrates the correlation between existing framework and proposed framework. The outcomes demonstrate that the proposed framework is anything but difficult to be gotten to by client and diminishes robbery movement.

Table 1:Comparitive Investigation Of Existing And Proposed Framework

Existing system	Proposed system
Ration cards are used for identification	RFID tags are used for identification
The details of materials delivered to customers are recorded manually	Using GSM the details of materials delivered are automatically entered
The process is slow	The process is fast

The general arrangement of apportion dispensary framework is appeared in figure 4.

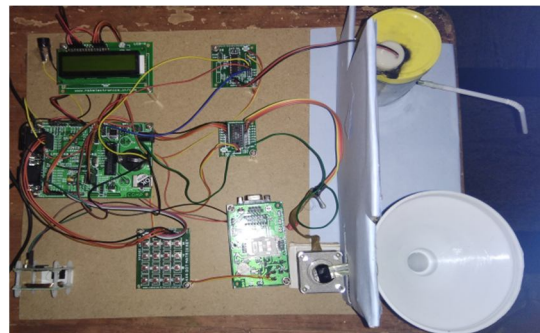


Figure. 4. Overall developed system

**Scenario 1:** Successful login and effective material conveyance.



2.



5.



6.

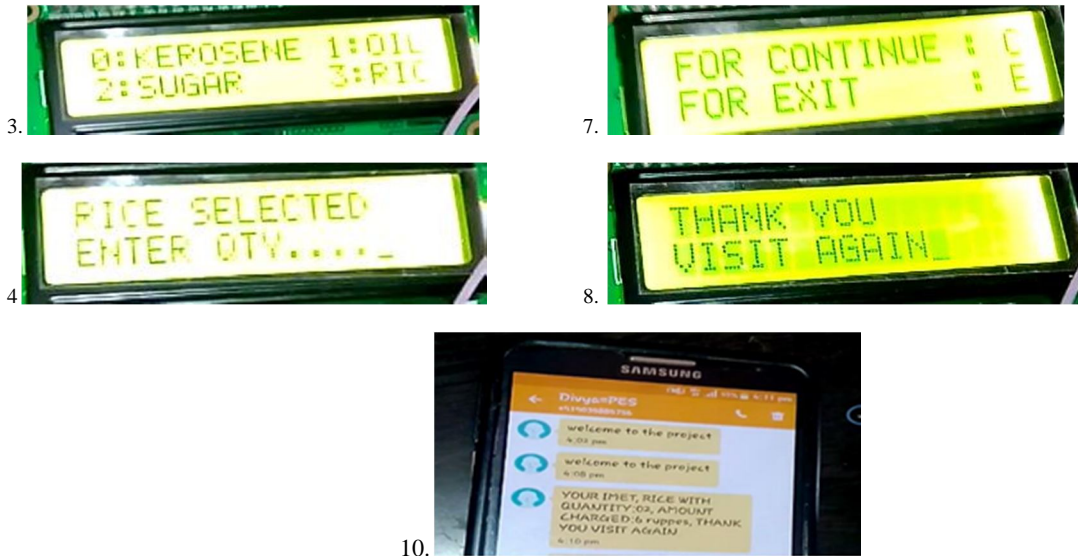


Figure 5. Sequence of operations on fruitful login

**Scenario 2:** Once the client is distinguished, the following stage is LCD shows enter the watchword if the secret word is wrong, then LCD shows invalid secret key and SMS will be sent through GSM to the concerned individuals and alert bells.



Figure 6. Sequence of operations on entering invalid secret key

**Scenario 3:** On the off chance that the erroneous secret key is written all the more then twice then the card is blocked and SMS will be sent through GSM to the concerned individual.



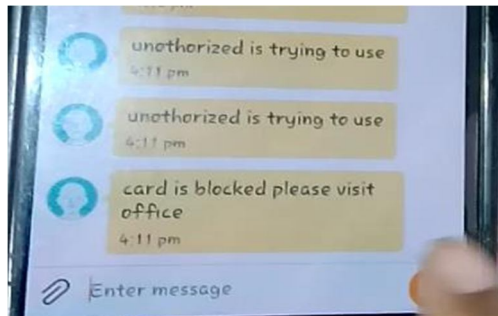


Figure 7. Sequence of operations on entering invalid secret word twice

**Scenario 4:** The subtle elements of the client, the thing that client take and cost of the thing everything will show in the framework i.e (dept. of nourishment and open appropriation).

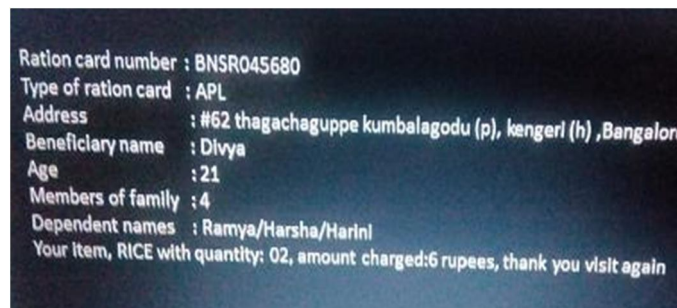


Figure 8. Information of delivery sent to dept. of food and public distribution

## Conclusion

Usage of an Automatic Ration Items Distribution in view of GSM and RFID innovation rather than the present day apportion cards is performed successfully.

In the current framework there are two disadvantages. Initial one is off base weight of the things because of human missteps. Besides, if the things are left over toward the end of the month, they will be sold by the owner in the market without any intimation to the Dept. of food and public distribution.

The proposed system removes the forgery by removing the manual filling of the government record diary with the RFID and GSM system. The GSM system sends the information about the delivered ration to the government office and also to the registered number of the customer.

## Acknowledgement

Authors would like to thankfully acknowledge the School of ECE, REVA University, Bangalore, Karnataka, India.

## References

- [1] S.Valarmathy,R.Ramani,"Automatic Ration Material distribution based on RFID and GSM technology," International Journal of Intelligent Systems and Applications, vol 5,pp.47-54, Oct 2013
- [2] Vikram Singh et. al. "Smart ration card", Volume 4, No. 4, April 2013 Journal of Global Research in Computer Science.
- [3] Rajesh C. Pingle "Automatic Rationing system using embedded system technology," HCTL Open International Journal of Technology Innovations and Research, vol 2,pp.102-111,Mar 2013.
- [4] A.N.Madur, Sham Nayse, "Automation in Rationing System Using Arm 7," International journal of innovative research in electrical, electronics, instrumentation and control engineering ,vol.1, Issue 4, Jul 2013.
- [5] Ahmed, T. Qiu, F. Xia, B. Jedari, and S. Abolfazli, "Event-based mobile social networks: Services, technologies, and applications," Access, IEEE, vol. 2, pp. 500–513, 2014.
- [6] Mohit Agarwal, Manish Sharma, Bhupendra Singh, Shantanu,"Smart ration card using RFID and GSM technique",2014 IEEE.
- [7] S.R.Kurkute, D.P.Patil, "Automatic Ration Distribution System-A review", (WPNC&GSW-2015)IEEE conference,India.